

WATER HAND PUMPS



PRICE
PRODUCT
PROMOTION

TABLE OF CONTENT

CERTIFICATIONS	01
INTRODUCTION	02
PRESIDENT MESSAGE	03
QUALITY MANAGEMENT	04
MISSION	05
VISION	05
WHY BRIGHT WATER	05
ENVIRONMENTAL FRIENDLY	06
BRIGHT WATER HAND PUMPS	07
ADVANTAGES	08
AFRIDEV INDUS HAND PUMP	09
KABUL HAND PUMP	10
AFRIDEV PAMIR HAND PUMP	12
ABYAR HAND PUMP	13
ABYAR HAND PUMP DIAGRAM	14
HAND PUMPS INSTALLATION	15



BRIGHT WATER WATER HAND PUMPS

CERTIFICATIONS



INTROCTION

Bright Water Manufacturing & Trading Company has been established in 2013 as a manufacturer of Plastic PVC (Polyvinyl Chloride) & uPVC (Unplasticized Polyvinyl Chloride) Pressure and non-Pressure pipe system for cold and potable water and other industrial uses. Bright Water After succeeding in PVC & uPVC piping system, has Started the production of PPR- C, HDPE pipes & Fittings with Advance Technology. In early 2020 Bright Water started the production of Water Hand Pumps (Kabul, Afridiv, Pamir) along with it's spare parts. Customer focus, quality and innovation are reflected in every aspect of Bright Water business .

Bright Water strength lies in pre-empting customer expectations and product demands. Bright Water today is a trademark of reliability, durability and stability. Our team is highly skilled and experienced which uses the most advanced technology on its production line and retains the modern management system.

As a group, we are committed to high ethical business values, quality of products, committed deliveries and competitive pricing. These factors have contributed to our success ensuring our success at all levels.

We Bright Water have developed and designed a setup and system in place which can meet your requirements and needs beyond your hopes and expectations.

We believe that our strength lies in satisfying our customers and clients. That is why, providing quality products backed by superior technical support services, is the Bright Water promise to all our valued customers. Besides its unique place in Afghanistan plastic and Hand Pumps industry, Bright Water products are exported to various other countries and thus play an important role in

PRESIDENT MESSAGE

First of all I, on behalf of Bright Water Manufacturing & Trading Company; would like to introduce you Bright Water, Bright Water like many other companies invests millions of Afghanis in its communities annually through different programs and events. We understand that community investment is a necessary component of a sustainable business and its subsequent growth and recognizes that corporations can utilize unique resources, including the expertise of our employees through volunteerism, to positively impact societal problems and issues. Founded in 2013 & continued to inspire and challenge leaders in the private and public sector to find innovative ways to fulfil unmet community needs and to lead the way towards better management of business and societal strategies and policies. Through our convening power, a focus on measurement, and the extensive resources we provide to customers, employees, investors, nonprofits organizations, governments, and other businesses.

We Bright Water provide thought leadership in the field through our recognized events and forward-looking research reports in the time of economic volatility and uncertainty. Today's business leaders are keenly aware of the heightened needs in their communities around the world. Bright Water encourages corporate CEOs to think carefully about the societal issues that will affect their companies in the next decade,

and to proactively engage in addressing those issues, in collaboration with customers, employees, investors, nonprofits organizations, governments, and other businesses. To develop, grow, struggle to achieve perfection through advanced technology and utilize all its resources in order to ensure long lasting customer satisfaction are the objectives of Bright Water. Thanks to reliable, strong, easily accessible and easy-to-use products and perfect after sale support, Bright Water achieves its target perfection. Bright Water is ready to achieve its goals and objectives through regular investments in communities by implementing various mechanisms and Technics.

I, on behalf of Bright Water; would like to request you to kindly consider our request favorably to add us in the list of your vendors and to give us the opportunities to work close with you in the categories of all activities which is included in our Corporation.

I am looking forward to working close with your organization on a long term basis.

Hamid Ahmadzai
President

QUALITY MANAGEMENT

At Bright Water quality is high priority and the foundation of all our processes and operations. Each and every one of us here at Bright Water is committed to consistently achieving the highest quality standards in our products and services, with the aim of satisfying and exceeding the requirements and expectations of our customers. This goes for every area of our business.

Bright Water Rubber & Plastic Manufacturing Company is Germany (DAB) ISO 9001:2008 for Quality Management System, 14001:2015 for Environmental Management System & 45001:2018 for Health & Safety Management System Certified Company. We have dedicated ourselves through the production of superior materials ensuring cost effectiveness, hurdle freedom and high quality in all aspects of business. We are using innovative, adoptive and modern technologies available in the industry to ensure all specific customers' requirements and expectations are met all the times with comfort and satisfaction which will enhance our production quality, performance and profitability. This is the culmination of our dedicated efforts to manufacture superior product to our national and international clients by providing exceptional value, consistent performance and creative production solutions by which we have been promoting our ever-lasting and productive working relationship.

Each and every single piece of pipes & fittings are subjected to a detailed inspection & testing by trained and experienced staff to detect dimensional inaccuracies, surface imperfections and its conformity with applicable standards.

Our quality policy includes:

- ❖ Strict observance to a quality management system that complies with all quality oriented standards.
- ❖ Our quality policy is maintained throughout our business in accordance with our commitment to customer and regulatory requirements.

- ❖ Our quality policy is communicated to all employees and they are actively involved in the development of its objectives.
- ❖ A proactive culture of continuous improvement aiming to “get the job done in first time”.
- ❖ Highly qualified and experienced staff with expertise in their individual fields.
- ❖ Periodically conducting ongoing training sessions for all staff.

We believe in open and honest communication to all our customers and staff within a trusted environment.

VISION

To become the leading manufacturing Company for PVC, U-PVC, PPRC, HDPE Pipes & Fittings, Water Hand Pumps and services at national and international levels.

MISSION

Profitable growth through superior customer service, innovation, quality and commitment. To be the leader in every market we enter and serve, to the benefit of our customers and shareholders. The company's primary objective is to maximize long – term customer value, while adhering to the highest manufacturing standards.

WHY BRIGHT WATER?

Bright Water Hand Pumps offer the greatest combination of versatility, durability and longevity, and gives importance to quality control and:

1. Uses the most advanced technology.
2. Has highly skilled and experienced team.
3. Uses the most suitable raw materials.
4. Produces Pipes & fittings as per international standard.
5. Controls Quality at each stage of production & has well equipped laboratory
6. Committed to high ethical business values and competitive pricing.

ENVIRONMENTAL FRIENDLY

Bright Water Hand Pumps feature not only a long service life, but also excellent environmental and social comp ability. Since its inception, Bright Water has always placed emphasis on the fact that its products and manufacturing processes should not pollute our sensitive ecosystems and ensured development of fully recyclable materials. Bright Water Hand Pumps fulfill ecological standards, which are demand today.

The environmentally friendly raw materials is used for manufacture of Bright Water Hand Pumps. To ensure its environmental compatibility, all contained additives are extensively tested, not only by Bright Water own Laboratory, but also by prominent independent laboratories.

The environmentally friendly materials, Bright Water Hand Pumps is recyclable and can be ground melted and reutilized for various applications e.g motor-protections, wheel and other kinds of Metal materials. There are no polluting substances either in its processing or in its disposal.

The environmentally friendly and hygienically enhanced, Water Hand Pumps, made by Bright Water is physiologically and microbiologically harmless hygienic and low bacterial growth. The technical suitability of Bright Water Water Hand Pumps and piping System has been evident all over. Bright Water has always emphasized on its philosophy, that ecological and economic interests should not be contradictory, neither during production and sales, nor in the application product.

In domestic applications, the extrapolated service life of Bright Water Hand Pumps and piping system is more than 30 years.

To ascertain approximate working life of Bright Water Hand Pumps & Pipe system, permanent temperature and pressure has to be calculated

Bright Water is Certified by (DAB) 9001:2018, 14001:2015 & 45001:2018 and approved in all government Ministries, Multi National Organizations and Companies...etc. which puts Bright Water Hand Pumps & Piping system as the best selection.



BRIGHT WATER HAND PUMPS



AFRIDEV HAND PUMP

KABUL HAND PUMP

PAMIR HAND PUMP

CAST IRON/ABYAR HAND PUMP

S/N	NAME OF MODEL	RECOMMENDED FOR WATER LEVEL SETTING DEPTHS (METERS)	MINIMUM BORE HOLE ID (mmm)	APPROX.DISCHARGE (LITERS/HOURS)
1	Afridev Hand Pump	45-60	100	900
2	Kabul Hand Pump	Upto 25	100	900
3	Pamir Hand Pump	45-90	100	900
4	Cast Iron/Abyaar Hand Pump	Upto 18	100	900

We are manufacturing a wide range of deep well and shallow well Hand pumps, which includes the most

Afridev, Kabul, Pamir and Cast Iron/ Abyaar Hand pumps of very high quality. These pumps are manufactured as per the SKTA & HTN specified Standards.

Bright Water is a Afghan-Government recognized TOP Manufacturer of Water Hand Pumps and Water Supply Products.

Hand Pumps [From 9 meters To 90 meters depth] having its manufacturing facilities in Government approved Industrial areas at Kabul, Afghanistan.

MANUFACTURING FACILITY & TECHNICAL STAFF

We have our own fabrication, welding, machine shop, draw bench, electro plating and galvanizing unit.

Excellent tool room facilities.

Best talents over 25 years of experiences from industry are working for organization yielding excellent results for end product to the satisfaction of our esteemed customers.

R&D / QUALITY/ DESIGN & DEVELOPMENT

The foundation of Bright Water growth over the years is the deep understanding of economic stimuli and customer needs, and the ability to translate them into customer-desired offerings through leading edge Research and Development. The Hand pumps & accessories are strictly made as per national & international standards like SKAT, HTN and DIN etc.

We also accept and had done Multi National Inspection agencies like CROWN AGENTS, SGS, BUREU VERITAS, INTERTEC TESTING SERVICES, etc.

satisfaction of our esteemed customers.

ADVANTAGES OF BRIGHT WATER HAND PUMPS :

1. Bright Water Hand Pump are according to SKAT & HTN manual and specifications.
2. Bright Water Hand Pumps are Hot Dip Galvanized due to which it's most harmful to health.
3. Bright Water Hand Pumps are made of appropriate material.
4. Bright Water Hand Pumps utilizes the most advanced technology.
5. Bright Water Hand Pumps has a well equipped seprate laboratory for Hand Pumps, which is round the clock busy to control quality at each stage of production.
6. Bright Water Hand Pumps all rubber & Plastic spare parts are produced by it self by latest

QUALITY POLICY:

A well-trained and highly skilled staff has been employed to check and maintain a strict quality control at each step of the manufacturing process. Various tests are taken to ensure that the Hand Pumps are always of high standard and confirm to the appropriate standard specification.

Finally a thorough checking is done by a well qualified inspection team like SGS international etc. We provide best possible material and services to our valuable customers.

FEATURES WITH OPTIONS:

- PUMP HEAD:** MILD STEEL HOT DIP GALVANIZED CONSTRUCTION.
- CONNECTING RODS:** HOT DIP GALVANIZED SINGLE OR DOUBLE HOOK, STAINLESS STEEL SINGLE OR DOUBLE HOOK CONNECTING RODS
- RISER PIPE:** PVC 63MM OR HDPE 63MM
- CYLINDER:** PVC BRASS SLEEVED SINGLE AND DOUBLE HOOK, ALSO STAINLESS STEEL AVAILABLE.
- PEDESTAL:** THREE LEGGED, SQUARE FLANGED & UNICEF PADESTAL.
- SPECIAL TOOL KITS:** FOR INSTALLATION & MAINTENANCE OF HAND PUMPS

BRIGHT WATER SPECIFICATION AND MATERIAL TOLERANCES

1. All Parts of Hand Pumps are according to Drawing and specification of SKAT.
2. The washer, bolts and nuts used for Afridev hand pump assembly confirm the specification given in Afridev
3. Hand Pump Specification's (Edition 2003)
4. Pipes included raising main PVC pipe, steel pipes and tubes qualify the standard and Specification given in
5. Afridev Hand Pump Specification (Edition 2003).
6. The steel plates, sheets, Angle iron leg and square bars for Fabrication of the Afridev Hand Pumps confirm the designation ISO 630/DIN 17100, ST 37-2 as per Afridev . Hand Pump Specification Edition 2003.
7. The square tube confirm to ISO 4019/DIN 5911, Hollow section for structural Engineering.
8. All plastic and rubber parts are made according to Afridev Hand Pumps Specification's (Edition 2003).
9. The Brass cylinder liner is made of seamless tubing of CuZn37 Confirming to DIN 17660.
10. In some parts of the pumps minor changes are proposed by WSG (Water supply and Sanitation Sectoral Group). trouble-free service can be expected when using Bright Water PVC & uPVC pipe system.

GALVANIZING ANTI CORROSIVE TREATMENT

The following assemblies are Galvanized according to "Afridev Hand Pump specification" (Revision - 2, 1994)

- a. Pump Head Assembly
- b. Cover Assembly
- c. Handle Assembly
- d. Stand Assembly
- e. Pump Rod Assembly (unless stainless steel in used)

The following are Electro-Galvanized and passivated to DIN 50961 Fe/Zn12c, Electroplated Coating, Coating of Zinc and Cadmium coating on Iron and steel.

- a. Fulcrum pin and rod hanger pin.
- b. Spanner
- c. All bolts, nuts and washers (except stainless Steel/Chromate conversion coating type C to DIN 50941, protection against corrosion, chromating of electroplated Zinc and Cadmium coating.

AFRIDEV INDUS HAND PUMP

The Afridev hand pump is a public-domain pump which can pump water from up to 45-60 meters below ground surface. This pump is designed with a "working barrel" which allows the piston to be extracted without removing the rising main. A special "hook" tool is required to extract the foot valve from the bottom of the cylinder. It is suitable for boreholes with casing sizes of nominal 100mm, 127mm or 200 mm internal diameter and Hand Dug Well.

PUMP TYPE:

Afridev deep well hand pump as per SKAT-HTN Switzerland specifications, with 50mm dia open top, UPVC brass lined cylinder assembly with extractable plunger and foot valves assemblies.

Recommended for water level setting depth: Up to 45 Meter.

Minimum ID of bore (mili meter) :	100
Approximate Discharge Per Stroke:	440ml
Approximate Discharge per 60 Strokes/min:	24 liters
Approximate Discharge (Litres/Hour):	900 liters
PVC Riser Pipe =	63mm OD *
	4.7mm Wall THK
MS/SS Connecting Rod Diameter =	10mm
Stroke Length=	225± 6mm

Note: Data given are recommendatory: There may be some variation under actual field conditions design and specifications

SALIENT FEATURES

1. Ideal VL0M (Village Level Operation and Maintenance). Designed and developed keeping in view .maintenance Problem.
2. Capable of lifting water from depths up to – approx 45 meters.
3. Fully fabricated steel structure duly Hot Dip Galvanized.
4. Adjustable Handle to suite varying installation depths.
5. Injection Molded special grade plastic bush bearings easy to replace at village level.
6. Interchangeable plunger & foot valves easy extract without removing riser pipe.
7. Non-corrosive underground components capable of handling corrosive water situation there by giving longer life.
8. Easy installation and inexpensive maintenance at village level. Women can handle easily.

CONSTRUCTION

The complete system of Bright Water AFRIDEV Hand pump consists of four main sub assemblies briefly described below.

PUMP HEAD ASSEMBLY

1. Fully fabricated steel structure duly Hot Dip Galvanized.
2. Adjustable handle providing different handle settings to suit different cylinder setting depths.
3. Conical flange with conical rubber grommet provides better holding grip on UPVC Riser Pipe.
4. Fulcrum & rod hanger pins are supported on special grade plastic bush bearing which are very easy to replace at a village Level.
5. Fully covered to avoid any contamination of water. Design offers a stroke length of 225mm.

CYLINDER ASSEMBLY

UPVC pipe 63mm (OD) x 4.7 mm thick lined from inside with seamless brass liner 50 mm I.D. x 700 long.

1. Interchangeable plunger and foot valves made out of.
2. Interchangeable injection molded delrin with stainless steel.
3. Pick up device mounted on foot valves for easy extraction of Foot valve without removing riser pipe.

U-seal, bobbins steel and O rings are of nitride rubber and plunger rod of stainless steel and can be mild steel.

Larger dia extension pipe at the bottom of cylinder reduces silt and sand intake.

Sleeve is provided for plastic rope to pass for supporting the System during installation and maintenance.

KABUL HAND PUMP

Connects cylinder to pump head and is a passage for water. uPVC pipe 63 mm OD x 4.7 mm wall thickness x 2.9 meters long with socket-spigot cemented joint. Each pipe is provided with a rubber pipe centralizer to avoid contact with casing pipe

RISER PIPE

Connects cylinder to pump head and is a passage for water. uPVC pipe 63 mm OD x 4.7 mm wall thickness x 2.9 meters long with socket-spigot cemented joint. Each pipe is provided with a rubber pipe centralizer to avoid contact with casing pipe



KABUL HAND PUMP

This is mini Afridev water Hand Pump named Kabul because mostly this hand pump is installed in "Afghanistan". Since economical condition of Afghanistan is very weak so, most of UN agencies and NGO, S involved in drinking water sector in Afghanistan decoded to design such Hand Pumps, which might be low in price and its parts may be easily interchangeable with Afridev (Indus) Hand Pump.

Thus, DACAAR (Danish Committee for Aid to Afghan Refugees), the Leading agency in drinking water sector took initiative to design it and arrange Drawing; it s field-testing and other information shard with UNICEF Afghanistan.

PUMP TYPE:

Kabul Hand Pump pump as per SKAT-HTN Switzerland specifications, with 50mm dia open top, uPVC brass lined cylinder assembly with extractable plunger and foot valves assemblies.

Recommended for water level setting depth:	up to 25 Meter.
Minimum ID of bore (mili meter) :	100
Approximate DischargePer Stroke:	440ml
Approximate Discharge per 60 Strokes/min:	24 liters
Approximate Discharge (Litres/Hour):	900 liters
PVC Riser Pipe =	63mm OD * 4.7mm Wall Thickness
MS/SS Connecting Rod Diameter =	10mm
Stroke Length=	225± 6mm

Note: Data given are re-commendatory: There may be some variation under actual field conditions design and specifications subject to change without prior notice.

SALIENT FEATURES

1. Kabul water Hand Pump is suitable for lifting water from depth up to 20 m. It is suitable for boreholes (with same casing size as in Afridev) and Hand dug well.
2. Parts of Kabul and afridev water Hand Pumps are the same and easily interchangeable.
3. Kabul Water Hand Pump body is slightly lighter than afridev Water Hand Pump.
4. Kabul Hand Pump handle is not adjustable and lighter than afridev pump.

CONSTRUCTION

The complete system of Bright Water Kabul Hand pump consists of four main sub assemblies briefly described below.



AFRIDEV PAMIR HAND PUMP

For those areas where water table was lower than 50 m, Afridev Hand Pumps were not working properly. The UN agencies and other NGO'S who were involved in Drinking Water sector working in Pakistan as well as inside Afghanistan started Research to find such Hand Pumps that can easily lift water from the desired depth. Finally SKAT (Swiss Center for Development Cooperation in Technology and Management), the designer of Afridev, took initiative to design Afridev Deep well (Pamir) Hand Pumps.

PUMP TYPE:

Afridev PAMIR deep well hand pump as per SKAT-HTN Switzerland specifications, with 50mm dia open top, UPVC brass lined cylinder assembly with extractable plunger and foot valves assemblies.

Recommended for water level setting depth:
Minimum ID of bore (mili meter) :
Approximate Discharge Per Stroke:
Approximate Discharge per 60 Strokes/min:
Approximate Discharge (Litres/Hour):
PVC Riser Pipe =
MS/SS Connecting Rod Diameter =
Stroke Length=

up to 90 Meter.
100
440ml
20 liters
720 liters
63mm OD * 4.7mm Wall Thickness
10mm, Double Hook
225± 6mm

Note: Data Given are recommendatory:
There may be some variation under actual field conditions design and specifications subject to change without prior notice.

SALIENT FEATURES

1. Pamir water hand pumps are suitable for lifting water from depth up to 80 m.
2. It is suitable for bore holes (with same casing size as in Afridev Water Hand Pump) and hand dug well.
3. Pump body, stand (Pedestal), Top Cover, Rubber Components, Plastic Components (Foot valve and Plunger) and Cylinder except Plunger Rods are the same as Afridev Water Hand Pumps.
4. Handle is stronger and Heavy; Ball bearing with different pins and hosting is used this pump instead of Plastic bearing.
5. Pump Rod used in this pump is "Double Hook & Eye", and is completely different from Afridev Hand Pumps rod.

CONSTRUCTION

The complete system of Bright Water AFRIDEV PAMIR Hand pump consists of four main sub-assemblies briefly described below.

PUMP HEAD ASSEMBLY

1. Fully fabricated steel structure duly Hot Dip Galvanized.
2. Adjustable handle providing different handle settings to suit different cylinder setting depths.
3. Conical flange with conical rubber grommet provides better holding grip on UPVC Riser Pipe.
4. Fulcrum & rod hanger pins are supported on special grade plastic bush bearing which are very easy to replace at a village Level.
5. Fully covered to avoid any contamination of water. Design offers Fully fabricated steel structure duly Hot Dip Galvanized.

CYLINDER ASSEMBLY

1. uPVC pipe 63mm (OD) x 4.7 mm thick lined from inside with seamless brass liner 50 mm I.D. x 700 long.
2. Interchangeable plunger and foot valves made out of Interchangeable injection molded delrin with stainless steel.
3. Pick up device mounted on foot valves for easy extraction of Foot valve without removing riser pipe.
4. U-seal, bobbins steel and O rings are of nitride rubber and plunger rod of stainless steel and can be mild steel.
5. Larger dia extension pipe at the bottom of cylinder reduces silt and sand intake.
6. Sleeve is provided for plastic rope to pass for supporting the System during installation and maintenance.

RISER PIPE

Connects cylinder to pump head and is a passage for water. uPVC pipe 63 mm OD x 4.7 mm wall thickness x 2.9 meters long with socket-spigot cemented joint.

Each pipe is provided with a rubber pipe centralizer to avoid contact with casing pipe.

ABYAAR HAND PUMP

Bright Water Abyaar Na. 6 is a cast iron suction pump, capable of drawing water from shallow depths by creating a partial vacuum in the suction pipe depending as they do on atmospheric pressure to drive water up to the surface. The pump use is restricted to regions with water table no more than 40-50 teets below the surface. For reasons of economy and convenience this pump has become very popular for serving individual families and small group at communities.

Millions of pumps are in regular use in the Asian countries. With minimum still this pump can be installed and maintenance can be carried out. It lifts water twice faster than Atridev Hand Pump.

Recommended for water level setting depth:	up to 18 Meter.
Minimum ID of bore (mili meter) :	100
Approximate DischargePer Stroke:	1000ml
Approximate Discharge per 60 Strokes/min:	60 liters
Approximate Discharge (Litres/Hour):	1800 liters
PVC Riser Pipe =	1 ½" D Class PVC Pipe

Note: Data given are recommendatory:
There may be some variation under actual field conditions design and specifications subject to change without prior notice.

SALIENT FEATURES

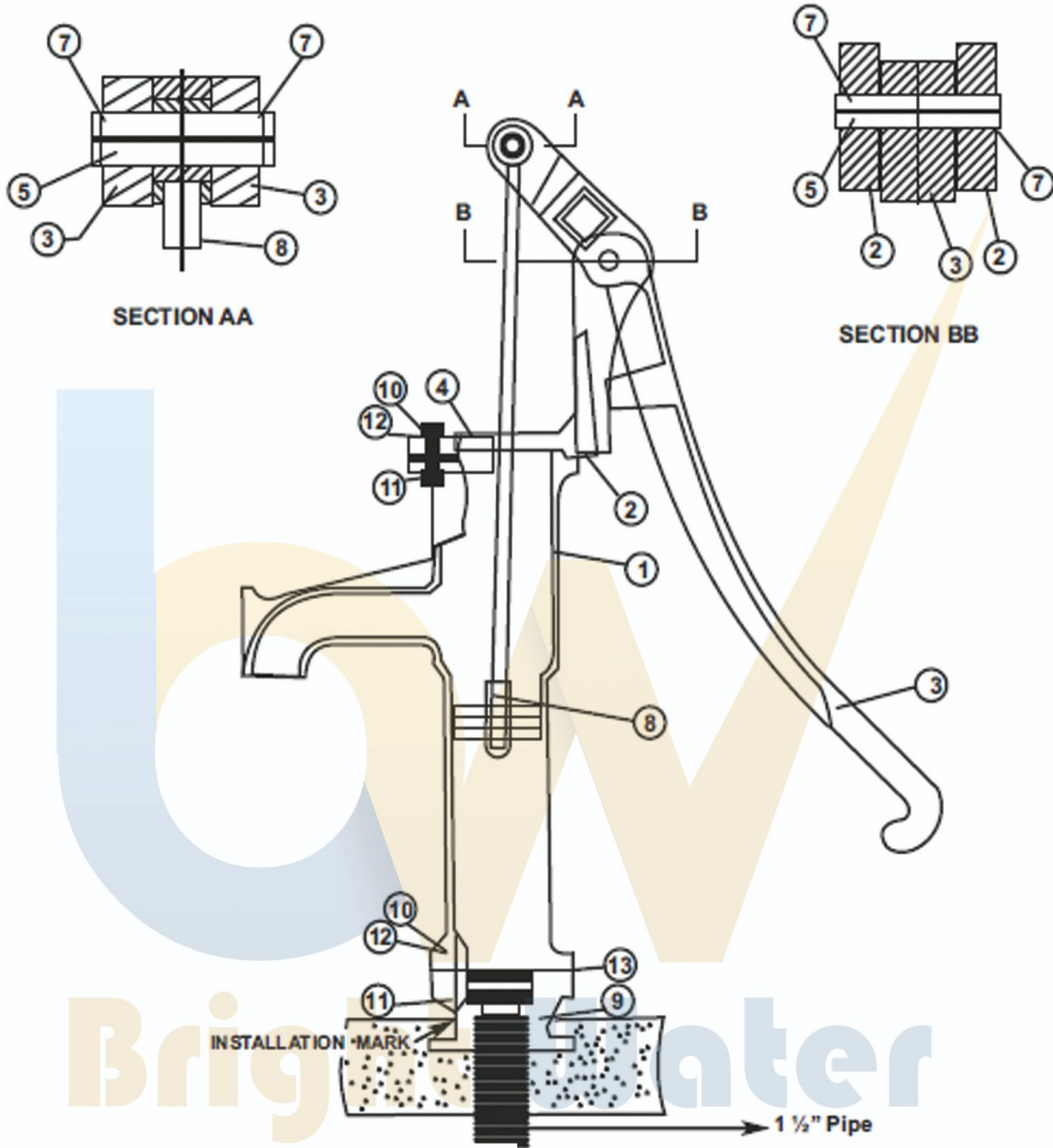
1. It is Suitable for depths upto 40-50 leets. It is constructed almost entirely of Cast Iron.
2. It is mounted directly on to 1 ½" galvanized iron pipe.
3. The Plunger is a molded PVC cop washer which ensures less wear.
4. The check valve is a simple leather flap with C . | weight. All moving parts are above ground level and are easily accessible.
5. The pump requires very simple maintenance, using skill and few tools meeting Village Level Operation & Maintenance (VLOM) concept.

APPLICATION DATA:

Operating depth 40-50 feets depth:	45 (Approx.)
Operated Strokes per minute:	20-30
Average discharge per stroke	1.2 – 1.3 Litres
Pump Weight	31- Kg

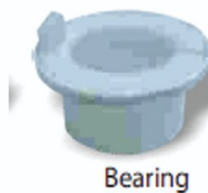
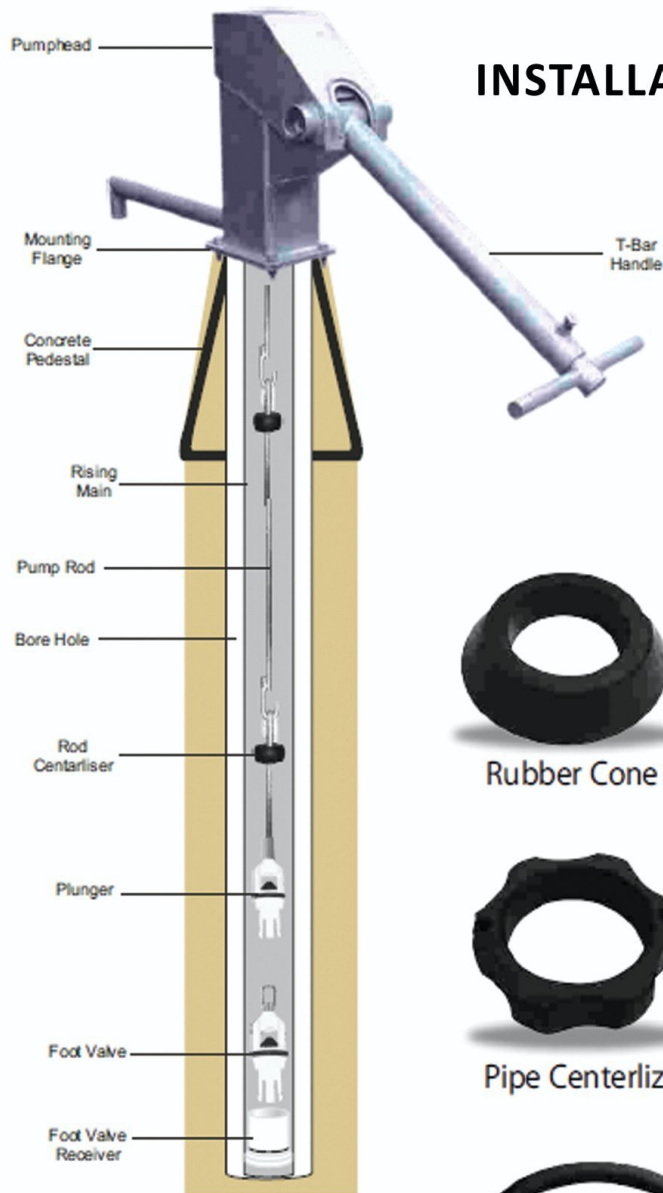


CAST IRON / ABYAR HAND PUMP DIAGRAM



PART NO.	NO.OFF	DESCRIPTION
13	1	Rubber Gasket
12	9	Spring Washer for w12 bolt
11	8	Max. Bolt w12 x1.75 - 65 long
10	9	Max. Bolt w12 x1.75
9	1	Bolt Assembly
8	1	Plunger Assembly
7	4	Leather Check valve with C.I weight
6	1	Fulcrum Pin
5	1	Plunger Pin
4	1	Sliding Plate
3	1	Handle
2	1	Hood
1	1	Body

INSTALLATION STRUCTURE



TRADEMARK
1 7 1 7 9



BRIGHT WATER
MANUFACTURING & TRADING
COMPANY

+93 - (0) 779999909 - 792009292
Between Haji Yaqub & Ansari Square,
Shar-e-Naw, Kabul,
Afghanistan.

+90 - 507 1359900 - 2125030123
Yakuplu Mh. B.O.S.B Mermeciler Sanayi
Sitesi 2.Cd. No.19/2 Beylikduzu,
Istanbul.

info@brightwater.af
www.brightwater.af